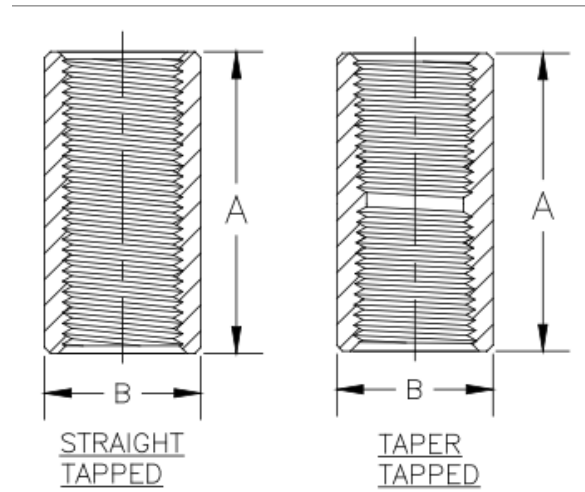


# STANDARD MERCHANT STEEL COUPLINGS

## Merchant Steel Full & Half Couplings Product Specifications

### Standard Merchant Couplings

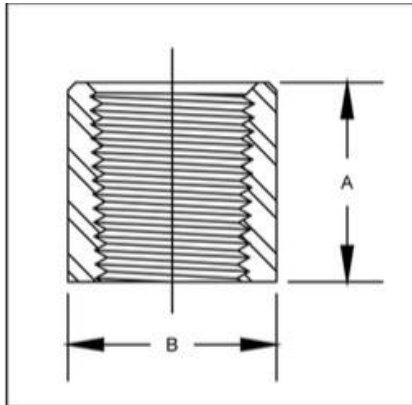


Pipe Size	1/8	1/4	3/8	1/2	3/4	1	1-1/4	1-1/2	2	2-1/2	3	3-1/2
<b>A</b>	0.812	1.188	1.188	1.562	1.625	2.000	2.062	2.062	2.125	3.125	3.250	3.375
<b>B</b>	0.562	0.719	0.875	1.062	1.312	1.576	1.900	2.200	2.750	3.250	4.000	4.625

Merchant Steel Couplings Conforms to: ASTM A865, ASME B1.20.1

Notes: 1/8" – 2" Straight Tapped(NPS), 2.5" – 6" Taper Tapped(NPT).  
 Merchant Couplings in 2" size are available Taper Tapped as special.  
 Galvanized couplings are electroplated zinc, or Hot dipped zinc  
 Black Couplings are phosphate coated, or Sandblasted

## Standard Merchant Half Couplings



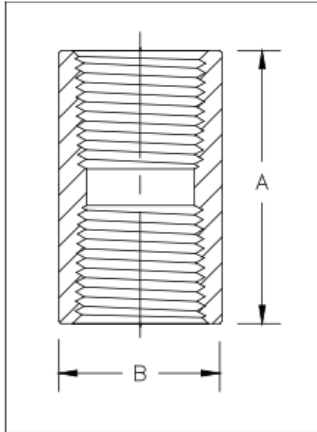
Pipe Size	1/8	1/4	3/8	1/2	3/4	1	1-1/4	1-1/2	2	2-1/2	3	3-1/4
<b>A</b>	0.344	0.531	0.531	0.719	0.750	0.937	0.969	0.969	1.000	1.500	1.562	1.625
<b>B</b>	0.562	0.719	0.875	1.062	1.312	1.576	1.900	2.200	2.750	3.250	4.000	4.625

Merchant Steel Half Couplings Conforms to: ASTM A865, ASME B1.20.1

Notes: 1/8" - 1" Taper Tapped(NPT), 1-1/4- 2" Straight Tapped(NPS), 2.5" - 6" Taper Tapped(NPT).  
 Merchant Couplings in 2" size are available Taper Tapped as special.  
 Galvanized couplings are electroplated zinc, or Hot dipped zinc  
 Black Couplings are phosphate coated, or Sandblasted

## EXTRA HEAVY STEEL COUPLINGS

### EXTRA HEAVY STEEL COUPLINGS NON-RECESSED(STANDARD CHAMFER)

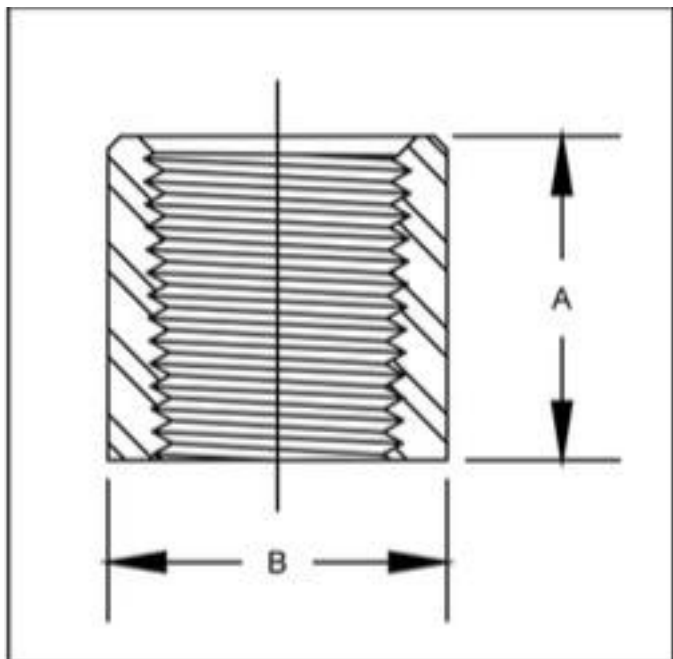


Pipe Size	1/8	1/4	3/8	1/2	3/4	1	1-1/4	1-1/2	2	2-1/2	3	3-1/4
<b>A</b>	1.062	1.625	1.625	2.125	2.125	2.625	2.750	2.750	2.875	4.125	4.250	4.375
<b>B</b>	0.562	0.719	0.875	1.062	1.612	1.576	2.054	2.200	2.875	3.375	4.000	4.625

Conforms to: ASTM A865, ASME B1.20.1

Finish: Black and Galvanized

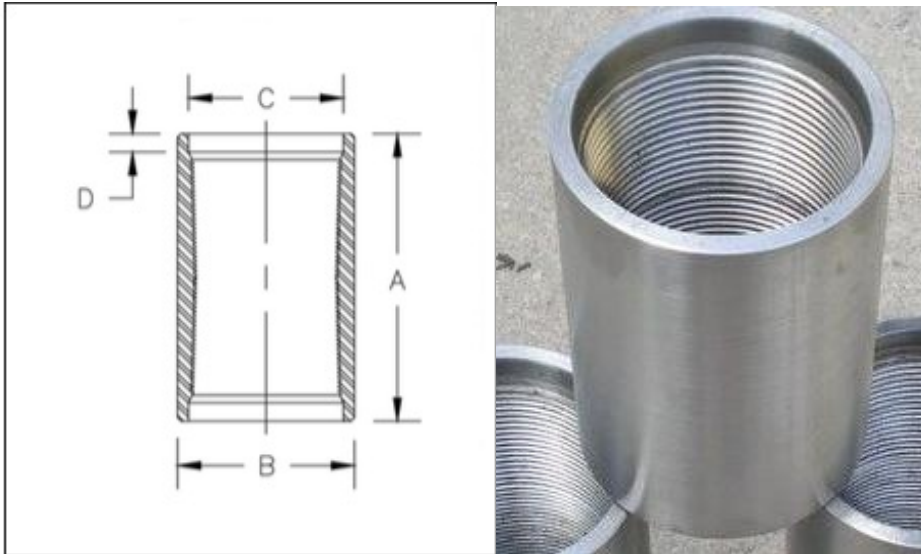
### EXTRA HEAVY HALF STEEL COUPLINGS



Pipe Size	1/8	1/4	3/8	1/2	3/4	1	1-1/4	1-1/2	2	2-1/2	3	3-1/2
<b>A</b>	0.468	0.750	0.750	1.000	1.000	1.250	1.312	1.312	1.375	2.000	2.062	2.125
<b>B</b>	0.562	0.719	0.875	1.062	1.612	1.576	2.054	2.200	2.875	3.375	4.000	4.625

Conforms to: ASTM A865, ASME B1.20.1  
 Finish: Black and Galvanized

## API LINE PIPE COUPLINGS



Pipe Size	1/8	1/4	3/8	1/2	3/4	1	1-1/4	1-1/2	2	2-1/2	3	3-1/2	4	5	6
<b>A</b>	1.062	1.625	1.625	2.125	2.125	2.625	2.750	2.750	2.875	4.125	4.250	4.375	4.500	4.625	4.875
<b>B</b>	0.563	0.719	0.875	1.062	1.612	1.576	2.054	2.200	2.875	3.375	4.000	4.625	5.200	6.296	7.39
<b>C</b>	0.468	0.603	0.738	0.903	1.113	1.378	1.723	1.963	2.469	2.969	3.594	4.094	4.594	5.567	6.71
<b>D</b>	0.052	0.120	0.115	0.158	1.152	0.224	0.228	0.244	0.238	0.492	0.471	0.466	0.492	0.505	0.58

**Material: API 5L Section 8**  
**Dimensions: API 5L, API 5B**